



[Portable Machine tools](#)

[Bolting Equipment](#)

[Quality Management](#)

[Contacts](#)

Nuova Simat

First Users, Producers and Resellers of Portable Machine Tools

We operate in the field of on-machining and take care of all those interventions that need the restoring of the geometry of mechanical components. In addition to being first-users of a wide range of machine tools, we are resellers and consultants too. Usually, we have been operating in the Oil & Gas Industry, but we manage to apply our services in any kind of industry.

[web site](#)



Nuova Simat srl

*Via Spagna, 32-34 | Polo Industriale di Guasticce, 57017, Collesalveti (LI)
Cod. Fiscale e P. IVA 01591210495 | ph. +39 0586 983108 | marketing@nuovasimat.com*



Bolting Equipment

Square Drive Torque Wrenches

Female Hexagon Torque Wrenches

Hydraulic Tensioners

Pneumo-hydraulic Pump (*Wrench*)

Pneumo-hydraulic Pump (*Tensioner*)

Heavy-Duty Impact Wrenches

Light-Duty Impact Wrenches

Battery Powered Impact Wrenches

Sockets

Manual Wrenches

Machine tools

Flange Facers (External Clamping)

Flange Facers (Internal Clamping)

Lathes (NC version available)

Milling machines

Drilling and Tapping Machine

Grinding and Lapping Tools

Pipe Cutting

Boring Unit

Hot Tapping

Bolt Heating

Induction Bolt Heating System

Testing

Valve test Benches

Lifting Equipment

Cylinders



Bolting

Square Drive Torque Wrench NS Series

Square Drive Torque Wrenches

Female Hexagon Torque Wrenches

Hydraulic Tensioners

Pneumo-hydraulic Pump (*Wrench*)

Pneumo-hydraulic Pump (*Tensioner*)

Heavy-Duty Impact Wrenches

Light-Duty Impact Wrenches

Battery Powered Impact Wrenches

Sockets

Manual Torque Wrench



Availability

On-Site Service | Sales | Rental

Overview

NS series wrenches come with male square drive on which it is possible to apply any type of impact socket (hexagonal, bihexagonal, etc.) and to ensure torque accuracy of $\pm 3\%$ on a wide torque range.

Square Drive

3/4" - 3 1/2 "

Torque Range

1.060 - 139.000 Nm

Weight

1 - 109 kg

Calibration service

Available

[ask for more info](#)



NUOVA SIMAT



Bolting

Female Hexagon Torque Wrench NSX Series

Square Drive Torque Wrenches

Female Hexagon Torque Wrenches

Hydraulic Tensioners

Pneumo-hydraulic Pump (*Wrench*)

Pneumo-hydraulic Pump (*Tensioner*)

Heavy-Duty Impact Wrenches

Light-Duty Impact Wrenches

Battery Powered Impact Wrenches

Sockets

Manual Torque Wrench



Availability

On-Site Service | Sales | Rental

Overview

An hydraulic torque wrench that can go “flat out.” Applications with restrictions above, around and behind the nut demand a tool that can get flat and get the job.

Hexagon Size

1/2” (13mm) – 8” (205mm)

Torque

56 – 65.500 Nm

Weight

1 - 31 kg

Calibration service

Available

[ask for more info](#)



NUOVA SIMAT



Bolting

Square Drive Torque Wrenches

Female Hexagon Torque Wrenches

Hydraulic Tensioners

Pneumo-hydraulic Pump (*Wrench*)

Pneumo-hydraulic Pump (*Tensioner*)

Heavy-Duty Impact Wrenches

Light-Duty Impact Wrenches

Battery Powered Impact Wrenches

Sockets

Manual Torque Wrench

Hydraulic Tensioner



Availability

On-Site Service | Sales | Rental

Overview

All the standard and special tensioners are supplied with CE conformity certification, in accordance with the current regulations on pressurized equipment.

CST | Low Clearance tensioners

TSS | Subsea Operation

CAT | Wind Turbines

Diameter

84 – 276 mm

Maximum Load

339 – 4754 kN

Weight

3,5 – 73 kg

[ask for more info](#)



NUOVA SIMAT



Bolting

Pneumo-hydraulic Pump

Suitable for Torque Wrenches

Square Drive Torque Wrenches

Female Hexagon Torque Wrenches

Hydraulic Tensioners

Pneumo-hydraulic Pump (Wrench)

Pneumo-hydraulic Pump (*Tensioner*)

Heavy-Duty Impact Wrenches

Light-Duty Impact Wrenches

Battery Powered Impact Wrenches

Sockets

Manual Torque Wrench



Availability

Sales | Rental

Overview

Double Acting pneumo-hydraulic piston pump with single-acting hydraulic pumping cartridge, used in high pressure circuits for pressurization, resistance and material deformation tests.

1st Stage Max Pressure

80 - 100bar

2nd Stage Max Pressure

700 bar

1st Stage Oil Flow

10 - 23.3 Lt/min

2nd Stage Oil Flow

0.95 - 3.8 Lt/min

[ask for more info](#)



NUOVA SIMAT



Bolting

- Square Drive Torque Wrenches
- Female Hexagon Torque Wrenches
- Hydraulic Tensioners
- Pneumo-hydraulic Pump (*Wrench*)
- Pneumo-hydraulic Pump (Tensioner)**
- Heavy-Duty Impact Wrenches
- Light-Duty Impact Wrenches
- Battery Powered Impact Wrenches
- Sockets
- Manual Torque Wrench

Pneumo-hydraulic Pump

Suitable for Hydraulic Tensioners



Availability

Sales | Rental

Overview

Double Acting pneumo-hydraulic piston pump with single-acting hydraulic pumping cartridge, used in high pressure circuits for pressurization, resistance and material deformation tests.

Pressure ratio

1:5 - 1:135

Max Nominal Pressure

35 – 2415 Psi

Air Consumption

750 NL./min

Noise Level

78-80 dB

[ask for more info](#)



NUOVA SIMAT



Bolting

- Square Drive Torque Wrenches
- Female Hexagon Torque Wrenches
- Hydraulic Tensioners
- Pneumo-hydraulic Pump (*Wrench*)
- Pneumo-hydraulic Pump (Tensioner)**
- Heavy-Duty Impact Wrenches
- Light-Duty Impact Wrenches
- Battery Powered Impact Wrenches
- Sockets
- Manual Torque Wrench



NUOVA SIMAT



Torque Multiplier

Manual version available



Availability

Sales | Rental

Overview

Reliable and dependable solution for the torquing and un-torquing of heavy duty bolts and nuts at various industries where speed, power, accuracy and safety are required.

Pressure ratio

1:5 - 1:135

Max Operational Pressure

90 Psi – 6 bar

Torque

45 - 8100 Nm

Weight

7 – 16.5 kg

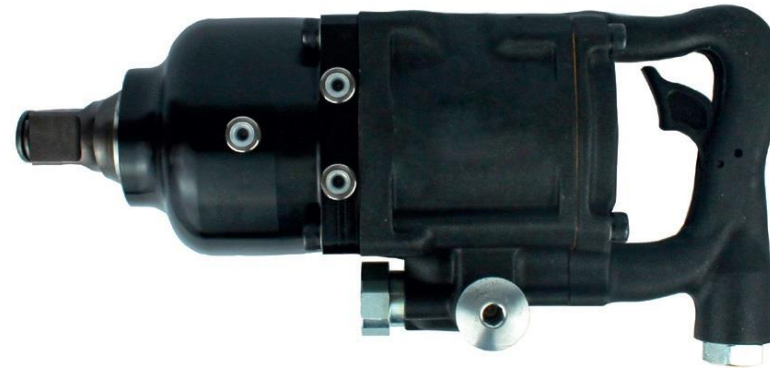
[ask for more info](#)

Bolting

Heavy Duty Impact Wrench

ATEX Version available

- Square Drive Torque Wrenches
- Female Hexagon Torque Wrenches
- Hydraulic Tensioners
- Pneumo-hydraulic Pump (*Wrench*)
- Pneumo-hydraulic Pump (*Tensioner*)
- Heavy-Duty Impact Wrenches**
- Light-Duty Impact Wrenches
- Battery Powered Impact Wrenches
- Sockets
- Manual Torque Wrench



Availability

On-Site Service | Sales | Rental

Overview

When performance is what you are looking for, this HD Impact Wrench Series is at your disposal. Available ATEX Versions of this series.

Bolt Range

M39 – M110

Square Drive

1" – 2-1/2"

Max Torque

3300 – 26.400 Nm

[ask for more info](#)



NUOVA SIMAT



Bolting

Light Duty Impact Wrench

Electric Version available

- Square Drive Torque Wrenches
- Female Hexagon Torque Wrenches
- Hydraulic Tensioners
- Pneumo-hydraulic Pump (*Wrench*)
- Pneumo-hydraulic Pump (*Tensioner*)
- Heavy-Duty Impact Wrenches
- Light-Duty Impact Wrenches**
- Battery Powered Impact Wrenches
- Sockets
- Manual Torque Wrench



Availability

On-Site Service | Sales | Rental

Overview

Durability, ergonomics, lightness. These impact wrenches are produced using material from the aviation and military industry such as special steels, carbon fibre, aluminium and magnesium alloy, titanium.

Bolt Range

M5 – M39

Square Drive

3/8" – 1 1/2"

Max Torque

118 – 4000 Nm

[ask for more info](#)



NUOVA SIMAT



Bolting

Battery Powered Impact Wrench

- Square Drive Torque Wrenches
- Female Hexagon Torque Wrenches
- Hydraulic Tensioners
- Pneumo-hydraulic Pump (*Wrench*)
- Pneumo-hydraulic Pump (*Tensioner*)
- Heavy-Duty Impact Wrenches
- Light-Duty Impact Wrenches
- Battery Powered Impact Wrenches**
- Sockets
- Manual Torque Wrench



Availability

On-Site Service | Sales | Rental

Overview

The tool's internal brushless technology also allows the wrench to run cooler, providing bolting application safety and versatility in harsh environments.

Square drive

3/4" - 1"

Nut Diameter

160 - 4030 Nm

Weight w/ Battery

4.7 - 10.2 kg

[ask for more info](#)



NUOVA SIMAT



Bolting

- Square Drive Torque Wrenches
- Female Hexagon Torque Wrenches
- Hydraulic Tensioners
- Pneumo-hydraulic Pump (*Wrench*)
- Pneumo-hydraulic Pump (*Tensioner*)
- Heavy-Duty Impact Wrenches
- Light-Duty Impact Wrenches
- Battery Powered Impact Wrenches
- Sockets**
- Manual Torque Wrench



NUOVA SIMAT



Impact Sockets



Availability.

On-Site Service | Sales | Rental

Overview

Available accessories for hydraulic equipment: special reaction arms, compasses, adapters, reductions and many others, such as powerpacks.

A/F

Max 225 mm

Min 8 mm

Models

Hexagon, Bi-hexagon, Deep Hex,

Adaptors

Double male, Square, Universal Joint, Extensions, Double female

[ask for more info](#)

Bolting

Manual Torque Wrench

- Square Drive Torque Wrenches
- Female Hexagon Torque Wrenches
- Hydraulic Tensioners
- Pneumo-hydraulic Pump (*Wrench*)
- Pneumo-hydraulic Pump (*Tensioner*)
- Heavy-Duty Impact Wrenches
- Light-Duty Impact Wrenches
- Battery Powered Impact Wrenches
- Sockets
- Manual Torque Wrench**



Availability

Sales | Rental

Overview

Torque wrenches for fast and accurate tightening operations, with excellent repeatability and reliability.

Length

318 – 1498 mm

Torque

2.5 – 2700 Nm

Square Drive

9.52 – 25.4 mm

3/8" – 1"

[ask for more info](#)



NUOVA SIMAT



Bolt Heating

Induction Bolt Heating System

Joule Effect Bolting available

Induction Bolt Heating Machine



Availability.

On-Site Service | Sales | Rental

Overview

A magnetic induction heating unit for tightening and loosening hollow bolts, tie rods, nuts and more. It is particularly suitable for Oil&Gas Application (eg. Steam Turbines, Compressors)

System Update | USB port

Allows to download/upload configurations, save the operating data and send them to our technical assistance service for analysis.

Power | 25 KVA

Frequency range | 5 ÷ 35 KHz

Supply | 400V AC-3PH-50Hz (60Hz)

Electrical plug | 32A 3P+E

Weight | 205 Kg

Dimension | 1000 x 830 x H 1000mm

[ask for more info](#)

[watch a video on Youtube](#)



NUOVA SIMAT



Machine Tools

Flange Facers (External Clamping)

Flange Facers (Internal Clamping)

Lathes (NC version available)

Milling machines

Drilling and Tapping Machine

Grinding and Lapping Tools

Pipe Cutting

Boring Unit

Hot Tapping

Flange Facing (External Clamping)



Availability.

On-Site Service | Sales | Rental

Overview

An externally mounted robust flange facing machine using fixed gears to produce continuous phonographic grooves according to ASME Standard.

Facing diameter

0 – 610 mm

Clamping range

50 – 610 mm

Weight

40 – 140 kg

[ask for more info](#)



NUOVA SIMAT



Machine Tools

Flange Facers (External Clamping)

Flange Facers (Internal Clamping)

Lathes (NC version available)

Milling machines

Drilling and Tapping Machine

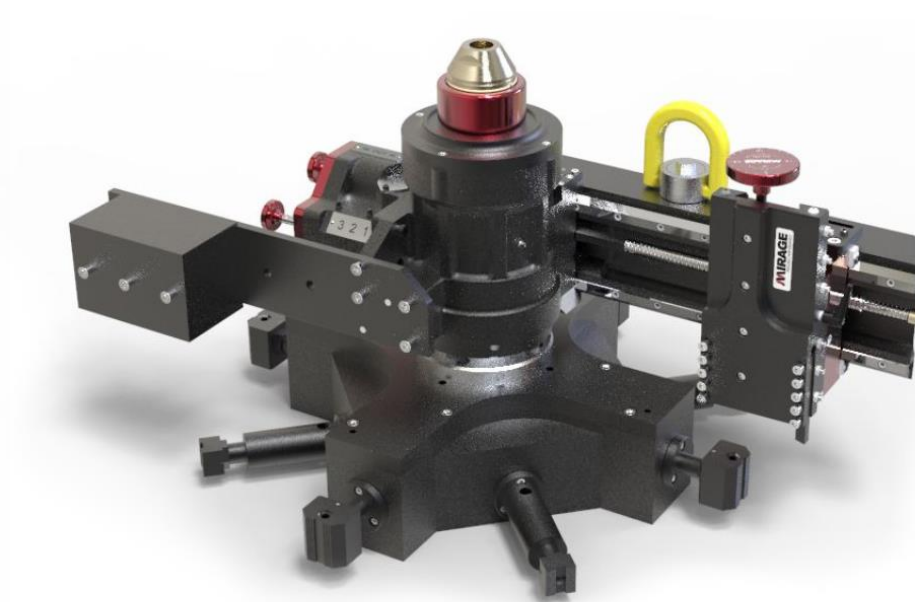
Grinding and Lapping Tools

Pipe Cutting

Boring Unit

Hot Tapping

Flange Facing (Internal Clamping)



Availability.

On-Site Service | Sales | Rental

Overview

An internally mounted and robust flange facing machine using fixed gears to produce 6 continuous groove gramophone finishes to ASME Standard.

Facing diameter

153 – 1500 mm

Clamping range

142 – 1400 mm

Weight

53 – 155 kg

[ask for more info](#)



NUOVA SIMAT



Machine Tools

Flange Facers (External Clamping)

Flange Facers (Internal Clamping)

Lathes (NC version available)

Milling machines

Drilling and Tapping Machine

Grinding and Lapping Tools

Pipe Cutting

Boring Unit

Hot Tapping

Lathe (NC Available)

In-Depth Machining available



Availability.

On-Site Service | Sales | Rental

Overview

Particularly suitable for turning cylindrical sealing surfaces in high-pressure valves (board-cutting seal) and for turning entire valve seats. It is also suitable for turning conical sealing surfaces.)

Turning range

0 – 1250 mm

Working depth

0 – 1000 mm (In-depth Kit Available)

Clamping diameter

80 – 1780 mm

Drive

Electric

[ask for more info](#)



NUOVA SIMAT



Machine Tools

Flange Facers (External Clamping)

Flange Facers (Internal Clamping)

Lathes (NC version available)

Milling machines

Drilling and Tapping Machine

Grinding and Lapping Tools

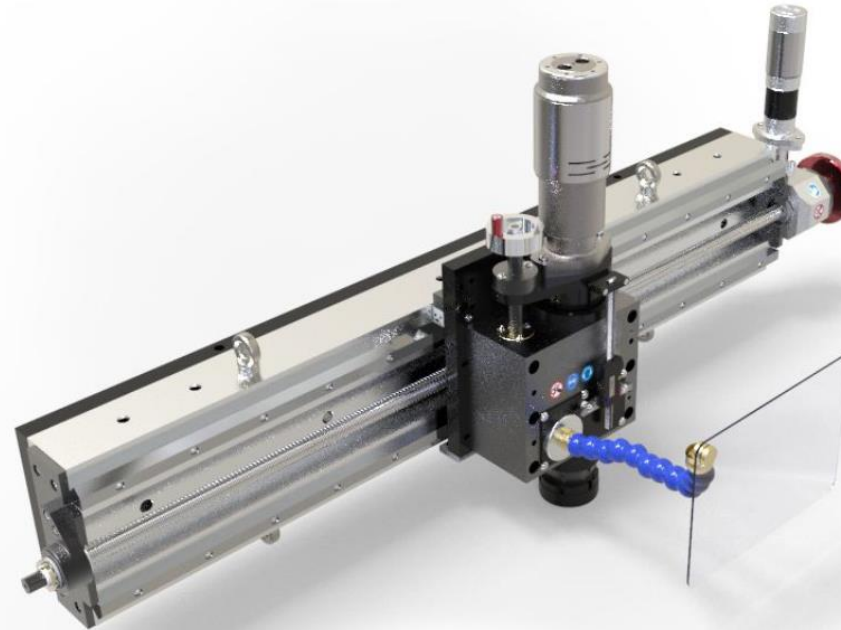
Pipe Cutting

Boring Unit

Hot Tapping

Milling Machines (2 Axes)

3 Axes available



Availability.

On-Site Service | Sales | Rental

Overview

The MR range of milling rails are built for rigidity and precision. Each machine is designed to carry out a wide range of general purpose in-situ milling applications.

Max Stroke

0 – 3000 mm

Auto Feed

0 – 83 mm/min

Spindle RPM

50 – 640 RMP

Spindle Down Feed

80 mm

[ask for more info](#)



NUOVA SIMAT



Machine Tools

Flange Facers (External Clamping)

Flange Facers (Internal Clamping)

Lathes (NC version available)

Milling machines

Drilling and Tapping Machine

Grinding and Lapping Tools

Pipe Cutting

Boring Unit

Hot Tapping

Drilling and Tapping Machine



Availability.

On-Site Service | Sales | Rental

Overview

A magnetic induction heating unit for tightening and loosening hollow bolts, tie rods, nuts and more. It is particularly suitable for Oil&Gas Application (eg. Steam Turbines, Compressors)

Depth

12 – 17"

Diameter

0 – 7.25"

Drive

3.5 Hp Air or 5.5Hp Hydraulic

[ask for more info](#)



NUOVA SIMAT



Machine Tools

Flange Facers (External Clamping)

Flange Facers (Internal Clamping)

Lathes (NC version available)

Milling machines

Drilling and Tapping Machine

Grinding and Lapping Tools

Pipe Cutting

Boring Unit

Hot Tapping

Grinding and Lapping Machines

Flat | Conical | Gate | In-Depth Available



Availability.

On-Site Service | Sales | Rental

Overview

Portable machines for grinding and lapping of sealing faces in gate valves and non-return valves, gates and flanges.

Working range

20 – 2000 mm.

Minimum spacing

15 – 102 mm.

Immersion Depth

250 – 2200 mm

[ask for more info](#)



NUOVA SIMAT



Machine Tools

Flange Facers (External Clamping)

Flange Facers (Internal Clamping)

Lathes (NC version available)

Milling machines

Drilling and Tapping Machine

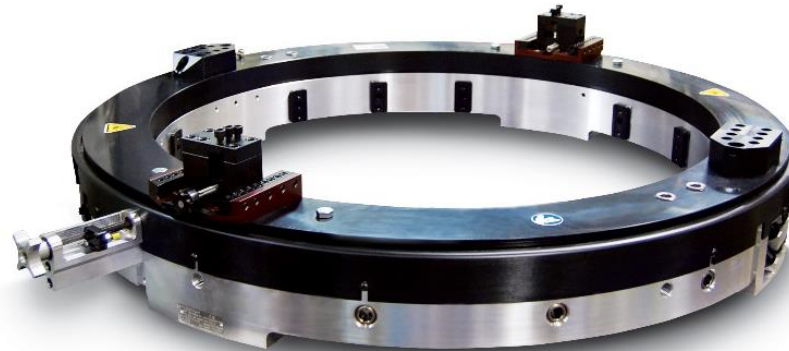
Grinding and Lapping Tools

Pipe Cutting

Boring Unit

Hot Tapping

Pipe Cutting and Bevelling Machine



Availability.

On-Site Service | Sales | Rental

Overview

Stepped and keyed gear clamps equipped with a through bolt provide a positive fit at each assembly joint. Several different drive options are available to best position the motor for a specific machining application.

Internal diameter

120 – 4495 mm

Mounting diameter

50.8 – 4495 mm

[ask for more info](#)



NUOVA SIMAT



Machine Tools

Flange Facers (External Clamping)

Flange Facers (Internal Clamping)

Lathes (NC version available)

Milling machines

Drilling and Tapping Machine

Grinding and Lapping Tools

Pipe Cutting

Boring Unit

Hot Tapping

Boring Unit



Availability

On-Site Service | Sales | Rental

Overview

Portable boring unit to perform machining of cylindrical components. It can be used to perform boring and welding, if equipped with the right tool.

Working diameter

70 – 1700 mm

Working length

Unlimited (260 mm steps)

RPM

100 – 400 RPM

Removal capacity

18 – 172 cm/min

[ask for more info](#)



NUOVA SIMAT



Machine Tools

[Flange Facers \(External Clamping\)](#)[Flange Facers \(Internal Clamping\)](#)[Lathes \(NC version available\)](#)[Milling machines](#)[Drilling and Tapping Machine](#)[Grinding and Lapping Tools](#)[Pipe Cutting](#)[Boring Unit](#)[Hot Tapping](#)

Hot Tapping



Availability

On-Site Service | Sales | Rental

Overview

Portable boring unit to perform machining of cylindrical components. It can be used to perform boring and welding, if equipped with the right tool.

Working diameter

0,5 – 60 “

Pressure Rating

0.0 – 1480 PSI

RPM

100 – 400 RPM

Removal capacity

18 – 172 cm/min

[ask for more info](#)



NUOVA SIMAT



Testing

Valve Test Bench

Stationary | Mobile available

Valve Test Bench



Availability.

On-Site Service | Sales | Rental

Overview

Well-ried technology, standardised and with modular design. Cost-effective and with short delivery times. Basic product range in various versions and many options.

Valve Diameter

1/2 - 20" (Up to 40" | Special Test Bench)

Booster Available

Water pressure generation with appropriate high-pressure pumps is integrated in every EFCO valve test bench intended for a water test. The air/nitrogen test pressure required for testing is provided either via a high-pressure bottle pre-filled by the customer or via an EFCO Booster.

[ask for more info](#)



NUOVA SIMAT



Lifting

Cylinders

Cylinders



Availability

Sales | Rental

Overview

Strong spring for quick retraction, can be used in all positions. Collar threads, piston end threads and base holes, for accessory mounting.

Available Models

Single Acting
Telescopic
Pancakes
High Tonnage

[ask for more info](#)



NUOVA SIMAT



Quality

Integrated Quality Management System

OHSAS 18001



ISO 9001 – ISO 14001 – OHSAS 18001

This certificate is valid for the following scope:
Trade of mechanical equipment for industrial maintenance; maintenance and revamping of hydraulic torque wrenches and hydraulic power packs; rental of equipment (with or without operator) for torque tightening and portable equipment for mechanical machining. Activity of applied research and experimental development in mechanical field for design and manufacture of portable machines used in services on site and prototypes of equipment for assembly and industrial applications
(EA: 29, 18, 32)



NUOVA SIMAT



Contacts



Via Spagna, 32-34 | Polo Industriale di Guasticce, 57017, Collesalveti (LI)
www.nuovasimat.com | ph. +39 0586 983108 | marketing@nuovasimat.com

